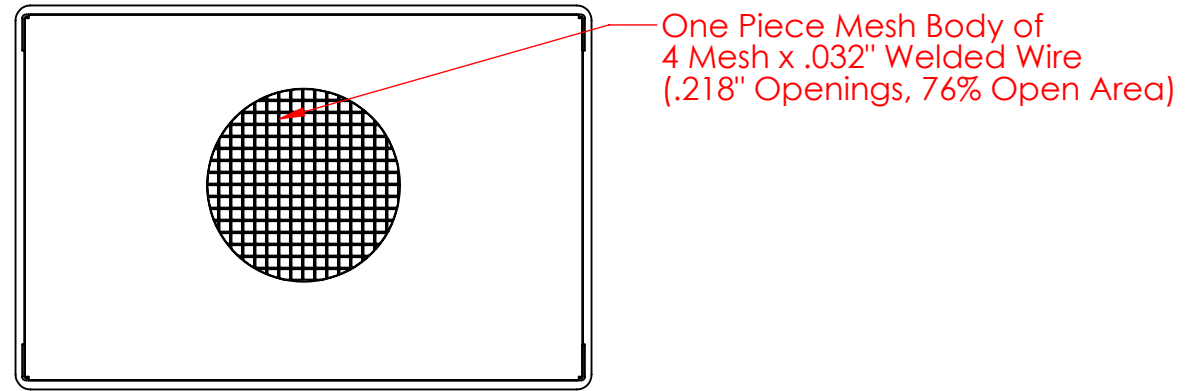
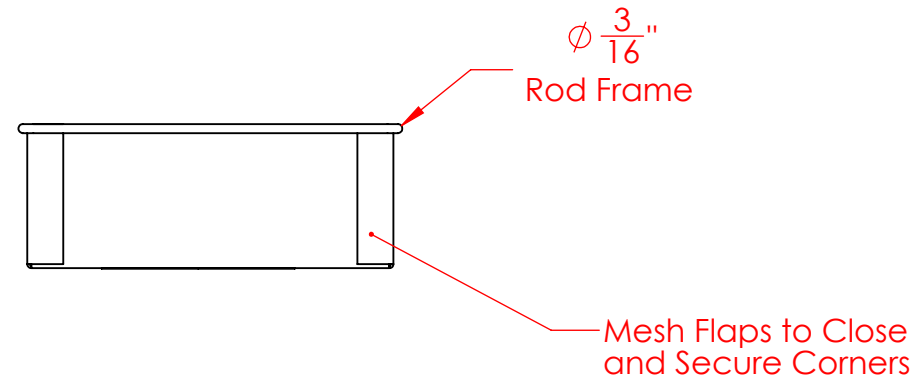
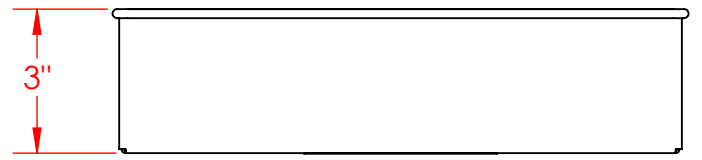
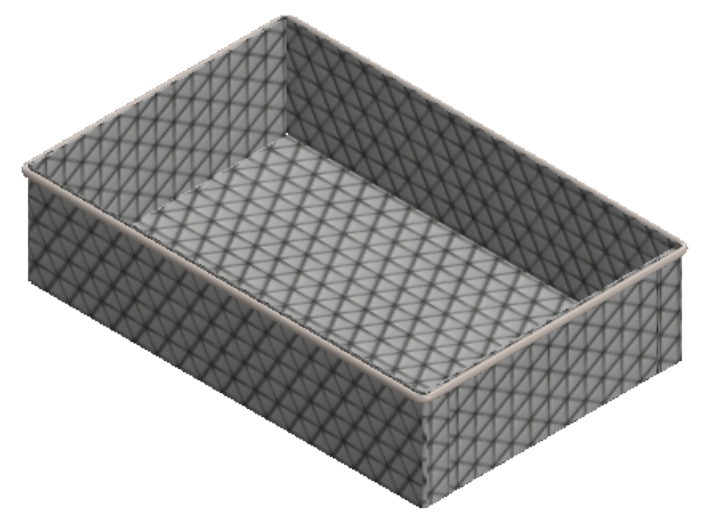
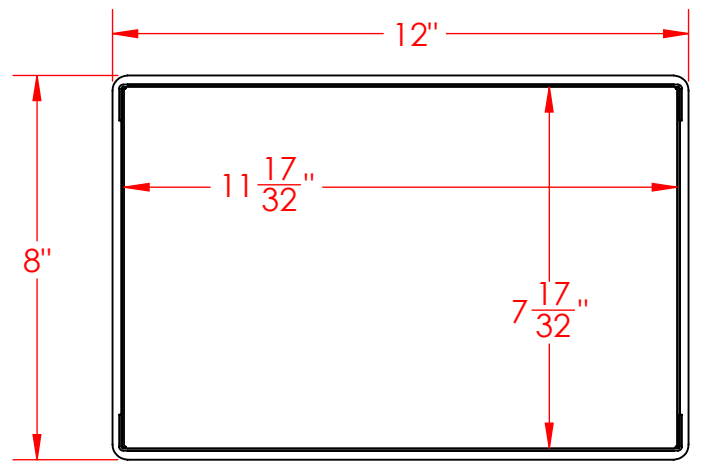


D  
C  
B  
A

D  
C  
B  
A



UNLESS OTHERWISE SPECIFIED:  
 DIMENSIONS ARE IN INCHES  
 TOLERANCES:  
 FRACTIONAL  $\pm 1/16$ "  
 ANGULAR:  $\pm 5$  DEG.  
 TWO PLACE DECIMAL  $\pm 0.03$   
 THREE PLACE DECIMAL  $\pm 0.015$

**Light Duty Mesh Basket:**  
 12Lx8Wx3H, 304 SS, No Handles,  
 Mesh: 4 x .032

**PROPRIETARY AND CONFIDENTIAL**  
 THE INFORMATION CONTAINED IN THIS DRAWING IS THE SOLE PROPERTY OF THREE M TOOL. ANY REPRODUCTION IN PART OR AS A WHOLE WITHOUT THE WRITTEN PERMISSION OF THREE M TOOL IS PROHIBITED.

EST WGT  
 0.7 lbs.  
 MATERIAL  
 304 Stainless Steel  
 FINISH  
 Natural  
 DO NOT SCALE DRAWING

SIZE **B** DWG. NO.  
 FLB-120080030-N04S

SCALE: 1:4

SHEET 1 OF 1